

glow-LED underwater light

12V

SAFETY VOLTAGE

The glow-LED series is available with both 12VAC and 12VDC power supplies, both with very low voltage so they can be used in existing or new systems depending on your needs. Both voltages comply with swimming pool system safety standards.



RECESSED SLEEVE

Waterproof installation niches/sleeves for positioning glow-LED lamps. Complete with all accessories for various assembly scenarios: Stainless steel or plastic niche for concrete tanks, Stainless steel or plastic niche for tanks with PVC liner.



MECHANICAL ASSEMBLY WITHOUT ADHESIVES

All lamps in the Glow-LED underwater light series are assembled entirely without the use of glues that could wear out and lose their sealing properties. This technology ensures, in the rarest of cases, easy reopening of the lamp for repairs.



STAINLESS STEEL LAMP HOUSING

All internal and external construction materials of the lamp casing are AISI 316L steel. This ensures excellent heat dissipation during immersion and longer life.



ULTRA CLEAR GLASS DIFFUSER

Light exit window made of tempered sodium-calcium safety glass with sealing gaskets between the head and the body. The glass does not cloud and returns to clarity with simple routine cleaning.



ANTI-OXIDATION and ANTI-CORROSION PROTECTION

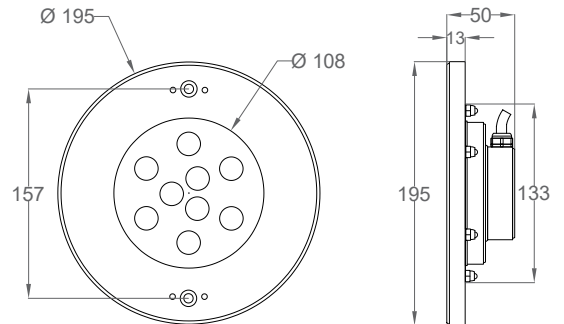
The Glow-LED series is entirely treated with special anti-oxidation processes to prevent corrosion caused by prolonged exposure to water with additives.

glow-LED 195

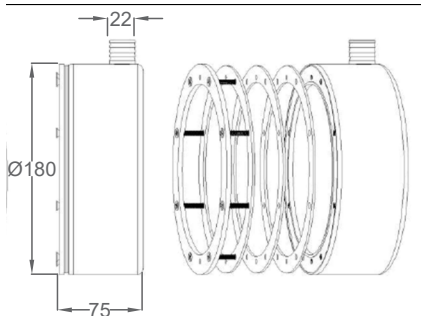


glow-LED 195

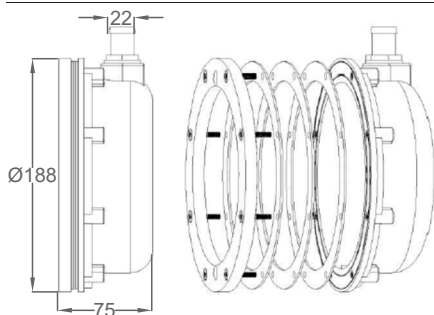
A range of lamps and accessories for underwater lighting, from private pools and ponds to large tanks for water parks and theme parks. Installation niches available in stainless steel and plastic, both solutions allow for installation in concrete tanks with tiles or painted walls, concrete with PVC sheeting, panels and coverings with PVC sheeting or painted.



Stainless steel installation Niche



Plastic installation Niche



glow-LED 195



glow-LED 195

Fully underwater LED lamp recommended for lighting medium to large-sized pools.

The stainless steel (code PL195i) or plastic (code PL195p) adapter niches are sold separately. These can accommodate a longer cable that allows the light to be removed from the water for maintenance.

Pool/Fountain Type: Concrete, tiled panel or PVC liner.



| code | input | CCT | lumen | beam angle |
|----------------|--------|---------|---------|-----------------|
| UWL19D30x-830 | 12 VDC | 3000K | 3110 lm | 15°/30°/45°/60° |
| UWL19A30x-830 | 12 VAC | 3000K | 3110 lm | 15°/30°/45°/60° |
| UWL19D30x-845 | 12 VDC | 4500K | 3201 lm | 15°/30°/45°/60° |
| UWL19A30x-845 | 12 VAC | 4500K | 3201 lm | 15°/30°/45°/60° |
| UWL19D30x-865 | 12 VDC | 6500K | 3353 lm | 15°/30°/45°/60° |
| UWL19A30x-865 | 12 VAC | 6500K | 3353 lm | 15°/30°/45°/60° |
| UWL19D30x-RGB | 12 VDC | R G B | 1280 lm | 15°/30°/45°/60° |
| UWL19A30x-RGB | 12 VAC | R G B | 1280 lm | 15°/30°/45°/60° |
| UWL19D30x-RGBW | 12 VDC | R G B W | 1350 lm | 15°/30°/45°/60° |
| UWL19A30x-RGBW | 12 VAC | R G B W | 1350 lm | 15°/30°/45°/60° |

The light must stay under water to prevent the chip from overheating.



| code | input | CCT | lumen | beam angle |
|----------------|--------|---------|---------|-----------------|
| UWL19D20x-830 | 12 VDC | 3000K | 1573 lm | 15°/30°/45°/60° |
| UWL19A20x-830 | 12 VAC | 3000K | 1573 lm | 15°/30°/45°/60° |
| UWL19D20x-845 | 12 VDC | 4500K | 1702 lm | 15°/30°/45°/60° |
| UWL19A20x-845 | 12 VAC | 4500K | 1702 lm | 15°/30°/45°/60° |
| UWL19D20x-865 | 12 VDC | 6500K | 1937 lm | 15°/30°/45°/60° |
| UWL19A20x-865 | 12 VAC | 6500K | 1937 lm | 15°/30°/45°/60° |
| UWL19D20x-RGB | 12 VDC | R G B | 756 lm | 15°/30°/45°/60° |
| UWL19A20x-RGB | 12 VAC | R G B | 756 lm | 15°/30°/45°/60° |
| UWL19D20x-RGBW | 12 VDC | R G B W | 835 lm | 15°/30°/45°/60° |
| UWL19A20x-RGBW | 12 VAC | R G B W | 835 lm | 15°/30°/45°/60° |

The light must stay under water to prevent the chip from overheating.

ACCESSORIES



cod.PL195i
Stainless steel niche
for concrete



cod.PL195p
Plastic Niche
for concrete



cod.PL195Li
Stainless steel Niche
for PVC liner



cod.PL195Lp
Plastic Niche
for PVC liner



cod.PZ195p
Recessed inground
Waterproof Box



cod.TRA15012
12 VAC



cod.PELG-150-24A
12 VDC



cod.EL-TH1024
RGBW - DMX control

glow-LED 110

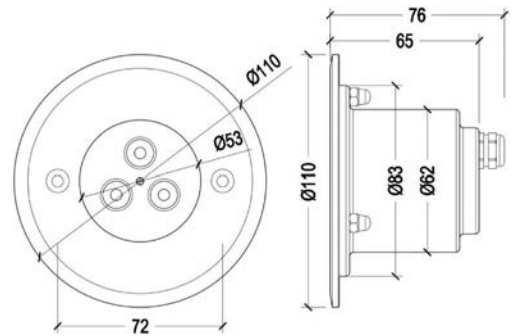


glow-LED 110

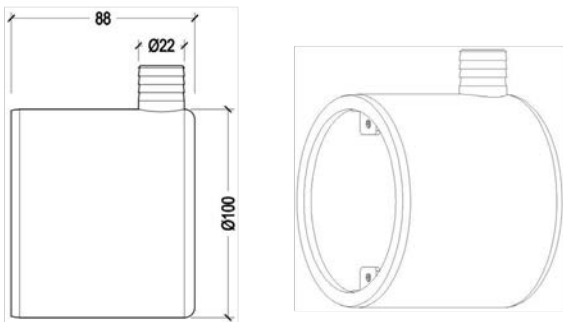
Series of lamps and accessories for underwater lighting in concrete or panels tanks. Suitable from private pools and ponds to large tanks for water parks and theme parks. The installation niche is available in stainless steel and plastic; both solutions allow for installation in concrete tanks with tiles or painted walls, concrete with PVC liner, panels covered with PVC liner, or painted panels.



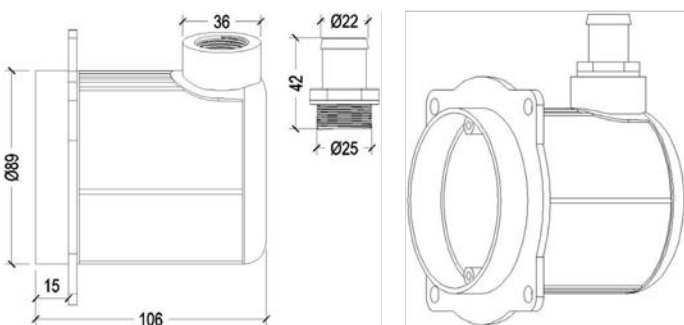
<https://www.vecteezy.com/free-vector/interior-illustration> Home With Pool Stock Photos by Vecteezy.com



Stainless steel niche
for in concrete installation



Plastic niche
for in concrete installation



<https://www.vecteezy.com/free-vector/interior-illustration> Luxury Landscape Stock Photos by Vecteezy.com

glow-LED 110



glow-LED 110

Fully underwater LED light recommended for illuminating medium-sized and small pools. The stainless steel (code PL110i) or plastic (code PL110p) adapter niches are sold separately. These can accommodate a longer cable that allows the light to be removed from the water for maintenance.
Pool/fountain type: concrete, tiled, or PVC liner.

| | | | | | | | | | |
|-----|-----|--|------|----------------------|--|---------------------|--|------|----------------------|
| 12V | 18W | | IP68 | 15-20 m ² | | ECODESIGN COMPLIANT | | RoHS | only total immersion |
|-----|-----|--|------|----------------------|--|---------------------|--|------|----------------------|

| code | input | CCT | lumen | beam angle |
|---------------|--------|-------|---------|-----------------|
| UWL11D18x-830 | 12 VDC | 3000K | 1476 lm | 15°/30°/45°/60° |
| UWL11A18x-830 | 12 VAC | 3000K | 1476 lm | 15°/30°/45°/60° |
| UWL11D18x-845 | 12 VDC | 4500K | 1584 lm | 15°/30°/45°/60° |
| UWL11A18x-845 | 12 VAC | 4500K | 1584 lm | 15°/30°/45°/60° |
| UWL11D18x-865 | 12 VDC | 6500K | 1728 lm | 15°/30°/45°/60° |
| UWL11A18x-865 | 12 VAC | 6500K | 1728 lm | 15°/30°/45°/60° |

The light must stay under water to prevent the chip from overheating.

| | | | | | | | | | |
|-----|----|--|------|----------------------|--|---------------------|--|------|----------------------|
| 12V | 9W | | IP68 | 15-20 m ² | | ECODESIGN COMPLIANT | | RoHS | only total immersion |
|-----|----|--|------|----------------------|--|---------------------|--|------|----------------------|

| code | input | CCT | lumen | beam angle |
|----------------|--------|-------|--------|-----------------|
| UWL11D09x-830 | 12 VDC | 3000K | 855 lm | 15°/30°/45°/60° |
| UWL11A09x-830 | 12 VAC | 3000K | 855 lm | 15°/30°/45°/60° |
| UWL11D09x-845 | 12 VDC | 4500K | 909 lm | 15°/30°/45°/60° |
| UWL11A09x-845 | 12 VAC | 4500K | 909 lm | 15°/30°/45°/60° |
| UWL11D09x-865 | 12 VDC | 6500K | 972 lm | 15°/30°/45°/60° |
| UWL11A09x-865 | 12 VAC | 6500K | 972 lm | 15°/30°/45°/60° |
| UWL11D09x-RGB | 12 VDC | BLU | 226 lm | 15°/30°/45°/60° |
| UWL11A09x-RGB | 12 VAC | BLU | 226 lm | 15°/30°/45°/60° |
| UWL11D09x-RGBW | 12 VDC | R G B | 495 lm | 15°/30°/45°/60° |
| UWL11A09x-RGBW | 12 VAC | R G B | 495 lm | 15°/30°/45°/60° |

The light must stay under water to prevent the chip from overheating.

ACCESSORI



cod.PL110i
Stainless steel niche
for concrete



cod.PL110p
Plastic Niche
for concrete



cod.PZ195p
Recessed inground
Waterproof Box



cod.TRA15012
12 VAC

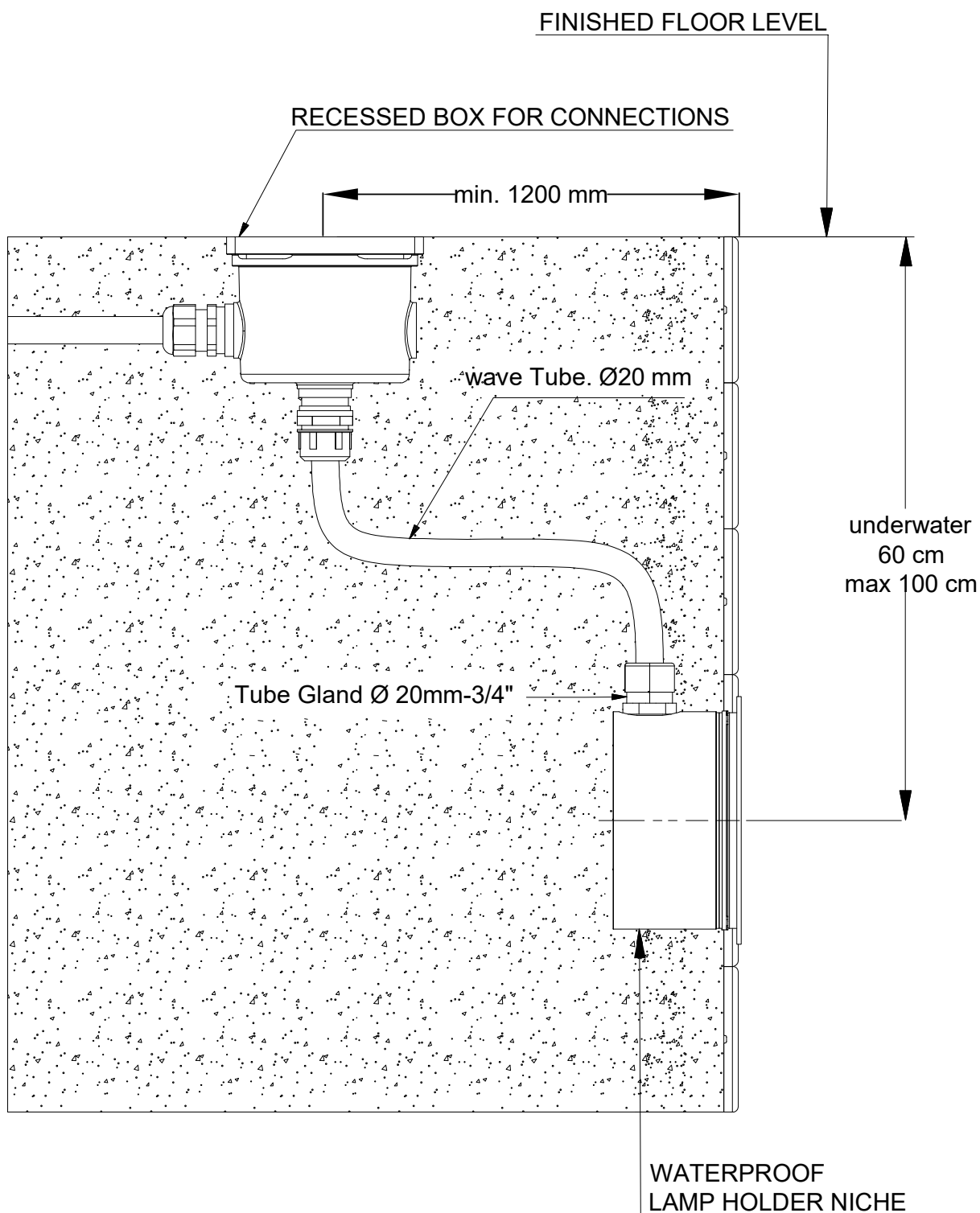


cod.PELG-150-24A
12 VDC



cod.EL-TH1024
CONTROLLO RGBW

INSTALLATION DIAGRAM



PrimOtek s.r.l.s.
via Primo Maggio, 19
25013 Carpenedolo (BS) Italia
tel: +39 0302389856
www.primotek.it
e-mail: info@primotek.it
legal mail: primotek@legalmail.it
P. iva: 02669020204